

CARSUPPORT

STANDARD
17A01

HEAVY DUTY
17A01H

DAIHATSU CHARADE 93-

E

PARTS (x2)

- (1) auxiliary spring
- (2) bracket
- (3) saddle
- (4) nut (4 per set)
- (5) rubber cap (4 per set)
- (6) upper spring seat

1. Jack up car until rear wheels are off the ground.
2. Place bracket(2) on the front part of the suspension arm as shown in fig.2 and slightly tighten saddle(3) with nuts(4).
3. Push aux. spring(1) with lower rubber cap(5) at the bottom and with upper seat(6) + rubber cap(5) on top and place the studbolt in the existing hole of chassis member.
4. Let car down and adjust bracket(2). Tighten nuts(4)

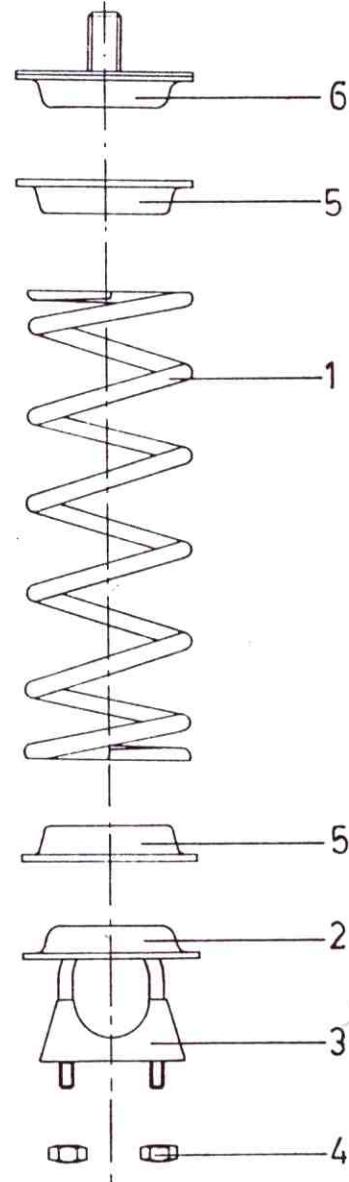


Fig.1

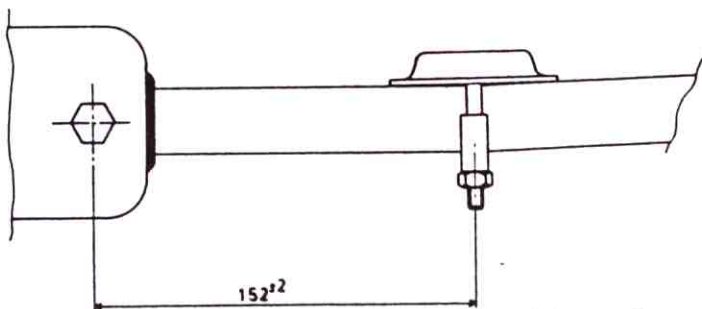


Fig. 2