

CARSUPPORT STANDARD HEAVY DUTY
 17S01 17S01H

MAKE: TYPE: YEAR:
 Daihatsu Rocky 1994-

CAR HEIGHT

After fitting the rear of the car will raise:
 - Standard set approx. + 20 mm
 - Heavy duty set approx. + 30 mm

LOCATION (see letter in set number)

"S": on shock absorber or strut

PARTS

- (1) 2x auxiliary spring
- (2) 2x rubber ring
- (3) 2x upper seat
- (4) 2x dust cover
- (5) 2x washer with side-opening
- (6) 4x spring seat support shell
- (7) 2x spring seat

INSTRUCTIONS

1. Remove rear shock absorbers.
2. Cut a square of 33mm in top of dust cover, so seat(7) will pass. See fig. 5. Remove dust cover.
Attention: protect piston rod against damage.
3. Place washer with side-opening(5) and support shells(6). Push spring seat(7) down over shells(6). See fig.2.
4. Place auxiliary spring(1). Push it down and place upper seat(3). See fig. 3.
5. Reinstall shock absorber.
6. Cars with loadsensing brake valve:
 After fitting the auxiliary springs check and adjust the loadsensing brake valve as per car-manufacturer's manual.

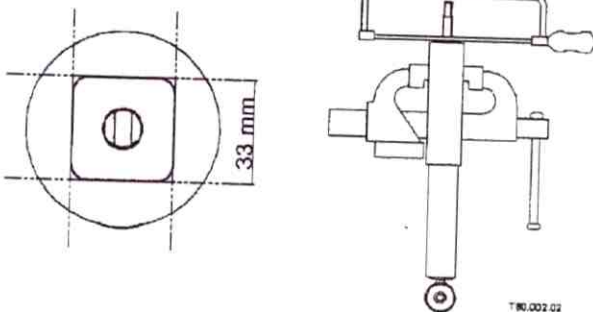
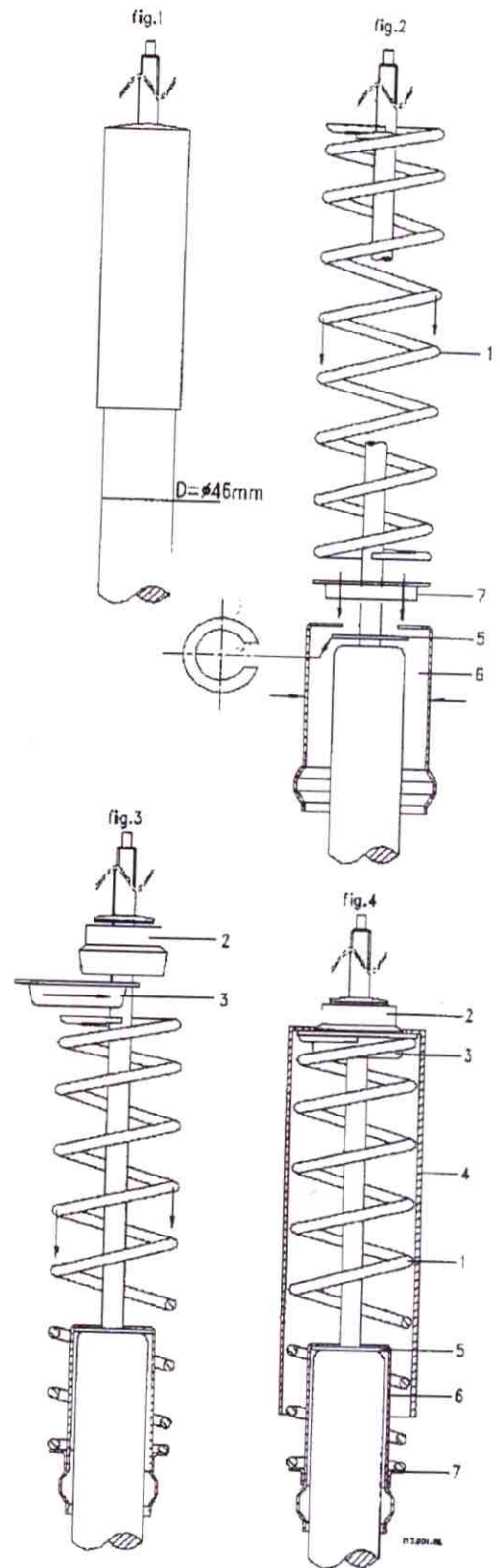


Fig. 5