

## MITSUBISHI

### SET 28CO3 STANDARD / 28CO3H HEAVY DUTY

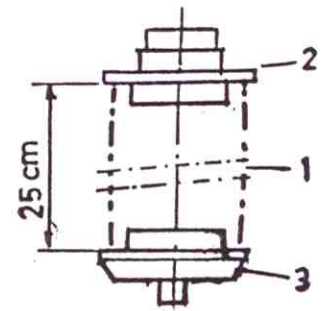
#### PARTS LIST

- (1) auxiliary spring
- (2) upper nylon seat
- (3) lower nylon seat

#### INSTRUCTIONS

1. Disconnect lower end shock absorbers at the rear.
2. Saloon: jack up rear of car, remove main springs.  
Estate: use spring compressor(s), jack up rear of car, remove springs.
3. Insert parts (1,2,3) inside main spring. Install spring assembly on car. Nylon seat(2) locates in hole of upper main spring seat, partly inside original rubber main spring collar.
4. Re-connect shock absorbers.

view out  
of scale:



### SET 28CO4 STANDARD / 28CO4H HEAVY DUTY

#### PARTS LIST

- (1) auxiliary spring
- (2) upper spring seat, with rubber collar (if any).
- (3) buffer/spring seat.

#### INSTRUCTIONS

1. Jack up rear of car. Remove rear wheels.
2. Support brake drum, disconnect lower end shock absorbers at the rear.
3. Remove main springs and original rubber buffers.
4. Drill a  $\varnothing$  8 mm hole in the centre of the upper main spring seats.
5. Insert spring(1) with seat(2) in wide end on top and buffer(3) at the bottom inside main spring.  
Install spring assembly on car. Upper spring seat locates in drilled hole (there is no need to tighten upper seat).
6. Re-connect shock absorbers, tighten lower buffer and rear wheels.

### SET 28CO5 STANDARD / 28CO5H HEAVY DUTY

#### PARTS LIST

- (1) auxiliary spring
- (2) lower spring seat, with rubber collar (if any)

#### INSTRUCTIONS

1. Disconnect lower end shock absorbers at the rear.
2. Jack up rear of car. Remove main springs.
3. Drill a  $\varnothing$  8 mm hole in the centre of the lower main spring seat.
4. Insert aux. spring(1) wide end up, lower spring seat at the bottom, inside main spring.  
Install spring assembly on car.  
Top of aux. spring(1) locates over original bump stop.  
Turn lower seat(2) until the mark (higher part) is at the rear.
5. Re-connect shock absorbers, tighten lower spring seats.