

80S760, 80S765
 80S860, 80S865, 80S870
 80S960, 80S965

Volvo 850, 960, S70 en V70 with
 original shock absorbers: PTO

PARTS

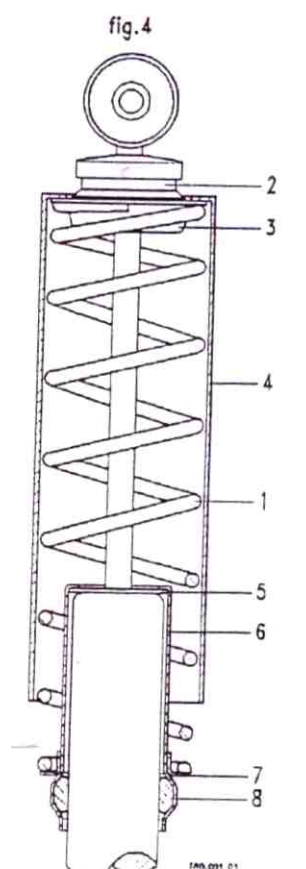
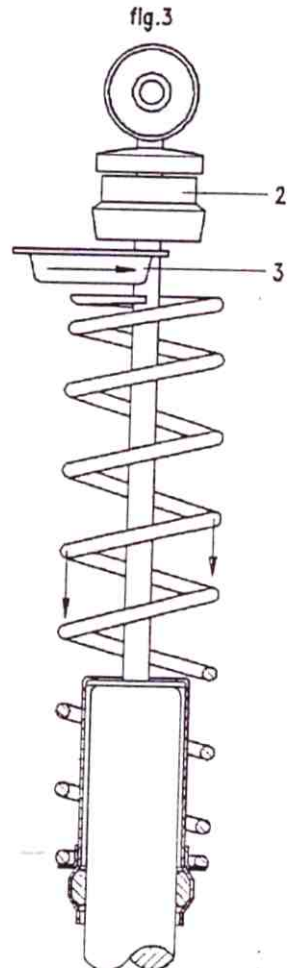
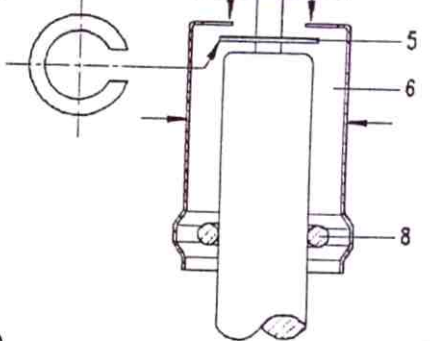
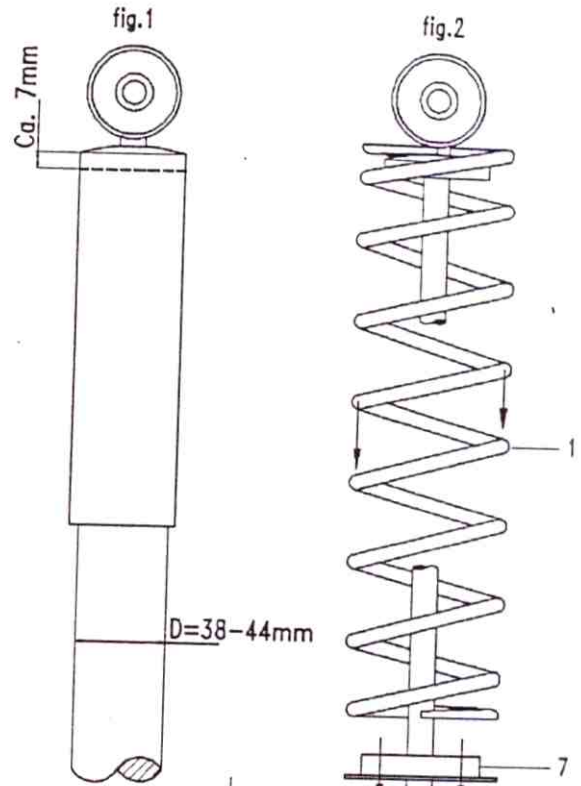
- | | |
|-------------------------|----------------------------------|
| (1) 2x auxiliary spring | (5) 2x washer with side-opening |
| (2) 2x rubber ring | (6) 4x spring seat support shell |
| (3) 2x upper seat | (7) 4x spring seat |
| (4) 2x dust cover | (8) 2x O-ring |

INSTRUCTIONS

1. Check reservoir tube diameter D, see fig.1.
 For this kit D should be between 38 and 44 mm.
2. Remove rear shock absorbers.
3. Try to pass seat(7) over the dust cover from above or over lower shock absorber end.
 - a. If so, remove dust cover.
 Fixed steel dust cover: cut off approx. 7 mm from top and remove dust cover. See fig. 1.
 - b. If not, cut a square of 33 mm in top of dust cover, so seat(7) will pass. See fig. 5. Remove dust cover.
 Attention: protect piston rod against damage.

4. O-ring(8) only to be used if reservoir tube diameter D = 38 - 41.5 mm. See fig. 1.
 Do not fit O-ring(8) if D is wider than 41.5 mm.
5. Place washer with side-opening(5) and support shells(6). Push spring seat(7) down over shells(6). See fig.2.
6. Place rubber ring(2) and auxiliary spring(1). Push auxiliary spring(1) down and place upper seat(3). See fig. 3.
 If auxiliary spring(1) has less than 10mm tension, use extra spring seat(7).

7. Reinstall shock absorber.
8. Cars with loadensing brake valve:
 After fitting the auxiliary springs check and adjust the loadensing brake valve as per car-manufacturer's manual.



CARSUPPORT
80S865, 80S870

Special for Volvo 850, 960, S70 en V70
with original shock absorbers

PARTS

- (1) 2x auxiliary spring
- (2) 2x rubber ring
- (3) 2x upper seat
- (4) 2x dust cover
- (5) 2x washer with side-opening
- (6) 4x spring seat support shell
- (7) 4x spring seat
- (8) 2x O-ring

INSTRUCTIONS

1. Check reservoir tube diameter D, see fig.1.
For this kit D should be between 38 and 44 mm.
2. Remove rear shock absorbers.
3. Remove plastic dust cover
4. Place O-ring(8), washer with side-opening(5) and support shells(6).
Please note:
Some Koni gas-hydraulic shock absorbers have an adjustment knob. Place side opening of washer(5) over this knob.
Spring seat(7) down over shells(6). See fig.2.
5. Place rubber ring(2) and auxiliary spring(1).
Push auxiliary spring(1) down and place upper seat(3).
See fig. 3.
6. Reinstall shock absorber.